

Directional Coupler 698-2700MHz N-Female

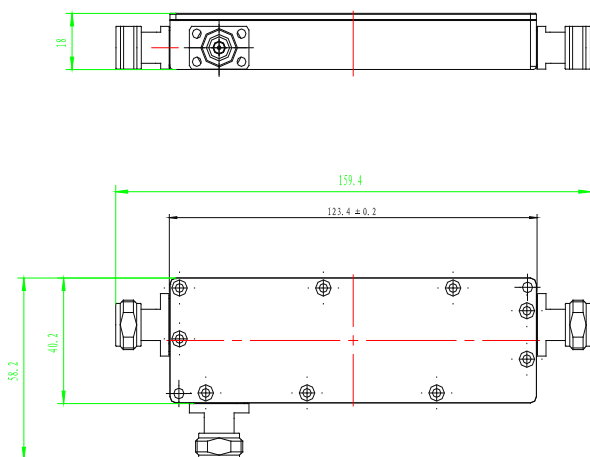
Features:

- Low Insertion Loss ●
- High power handling ●
- Small size, Low weight
- N-Female connectors

Specification:

Frequency Range	698 - 2700MHz									
Coupling (dB)	5	6	7	8	10	15	20	25	30	40
Insertion Loss (dB)	≤2.0	≤1.7	≤1.5	≤1.1	≤0.8	≤0.4	≤0.3	≤0.2	≤0.2	≤0.2
In-band Ripple (dB)	±0.8	±0.8	±0.8	±1.0	±1.0	±1.0	±1.0	±1.0	±1.0	±1.2
VSWR	<1.25									
Directivity	≥20@5/6/7/10/15/20/25/30/35dB; ≥18@40dB									
PIM (IM3)	<-155dBc @+43dBm*2									
Power Handling	300W									
Impedance	50Ω									
Connector Type	N-Female									
Applied Environment	IP65, Outdoor or Indoor									
Relative Humidity	5 to 95%									
Operating Temperature	-25 to +70°C									
Material	Cavity: Aluminum; Connector: Copper									
Processing	Silver plated cavity and inner conductor									
Dimension	159.4*63.2*16.5mm									
Weight	0.242Kg(5, 6, 7, 10dB); 0.248Kg(15, 20, 25, 30, 35, 40dB)									

Dimension & Product Image: 5dB, 6dB, 7dB, 8dB, 10dB



15dB, 20dB, 25dB, 30dB, 35dB, 40dB

